

BUCHER

KOBASHI ST-8

Ersatzteilliste
Liste des pièces de rechange
Parts List



ST - 8

Inhalt

1. Chassis 5

2. Raupen 7

3. Fräse 9

4. Abdeckung und
Lenkkupplung 11

5. Bedienung 13

6. Schilder 15

Sommaire

1. Chassis 5

2. Chenilles 7

3. Centrifuge 9

4. Couverture et
Accoupl. lat. 11

5. Commande 13

6. Plaques 15

Contents

1. Frame 5

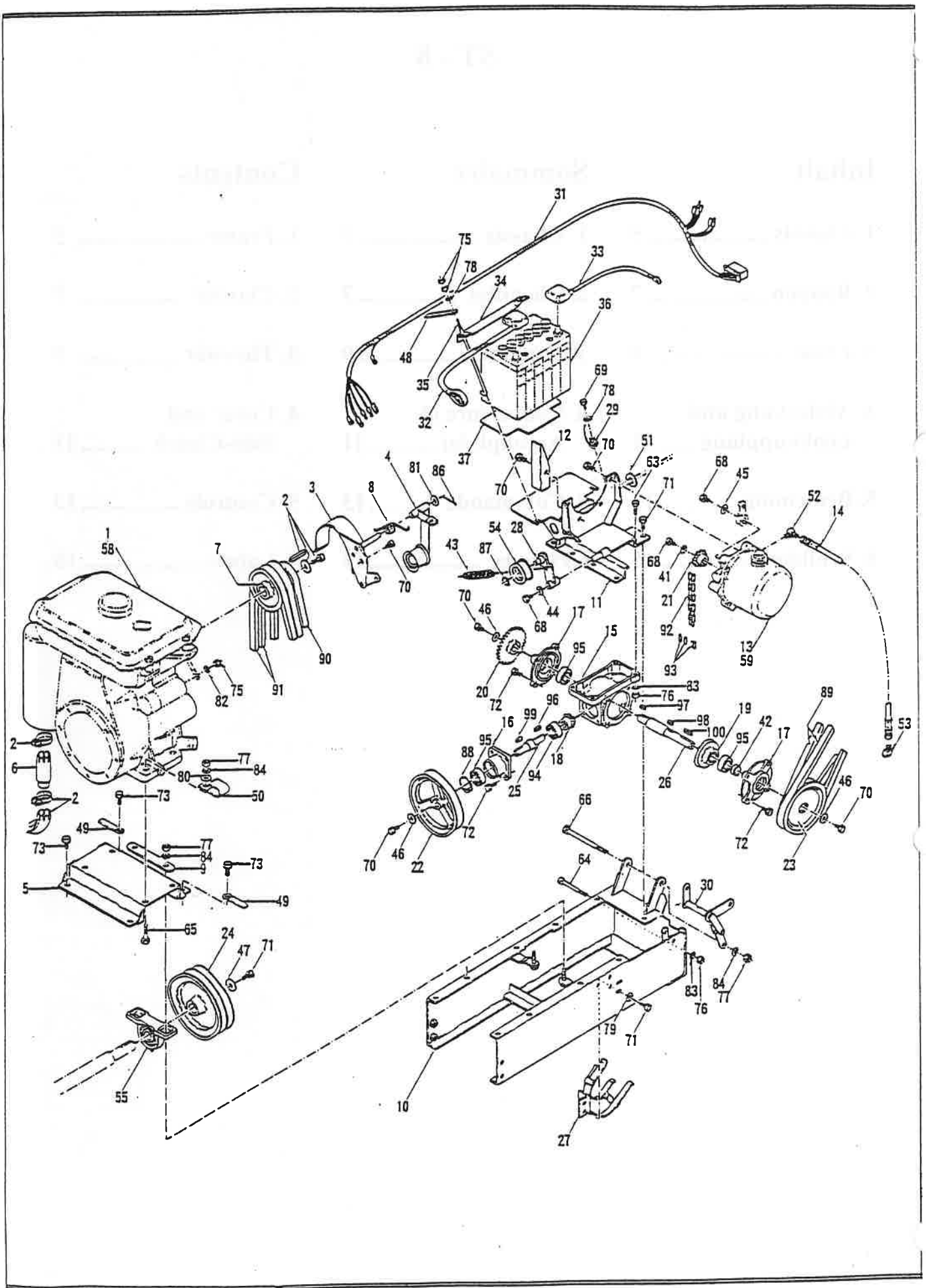
2. Clawier 7

3. Thrower 9

4. Cover and
Side-Clutch 11

5. Controls 13

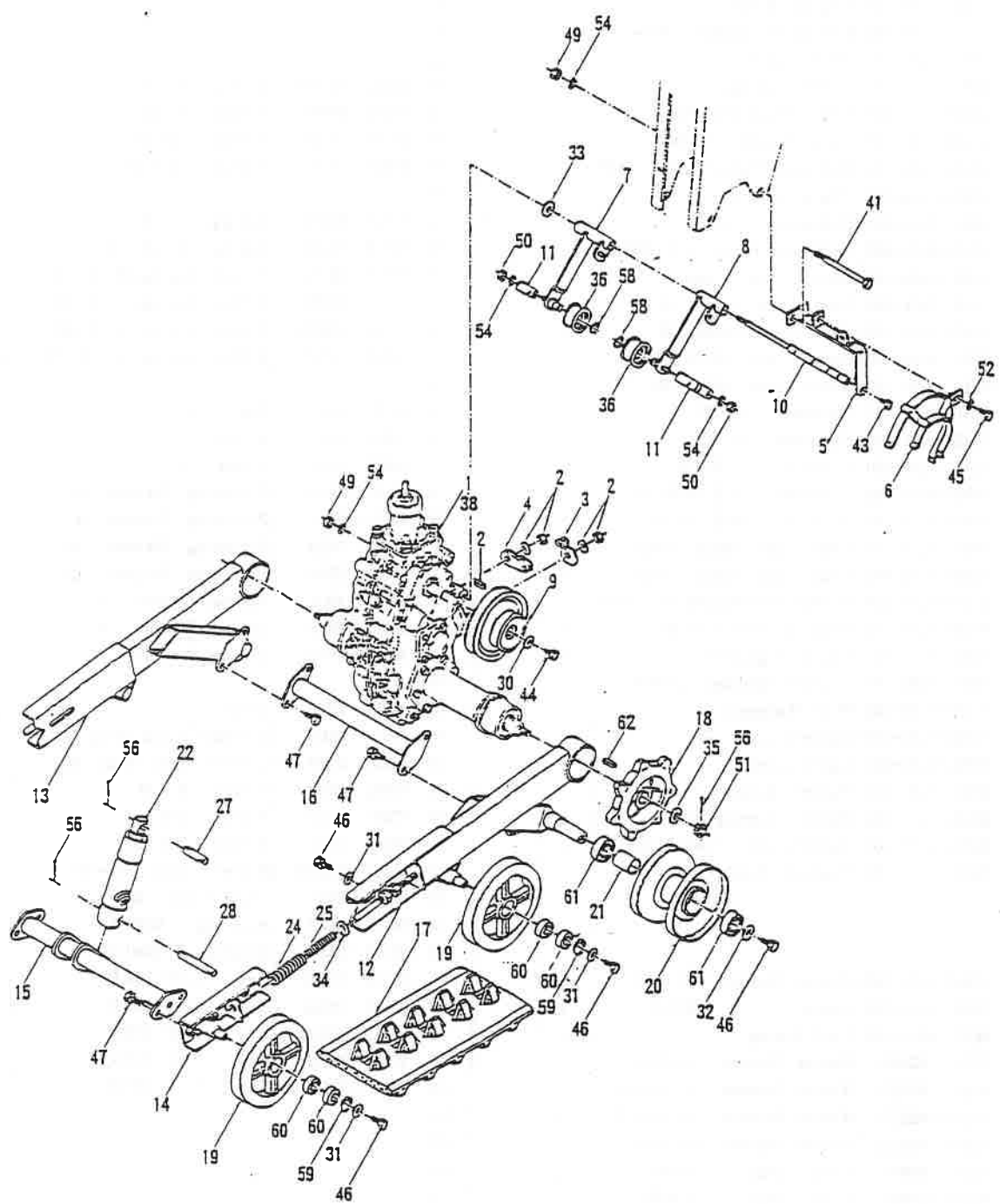
6. Labels 15



1. CHASSIS & FRAME

ST-8

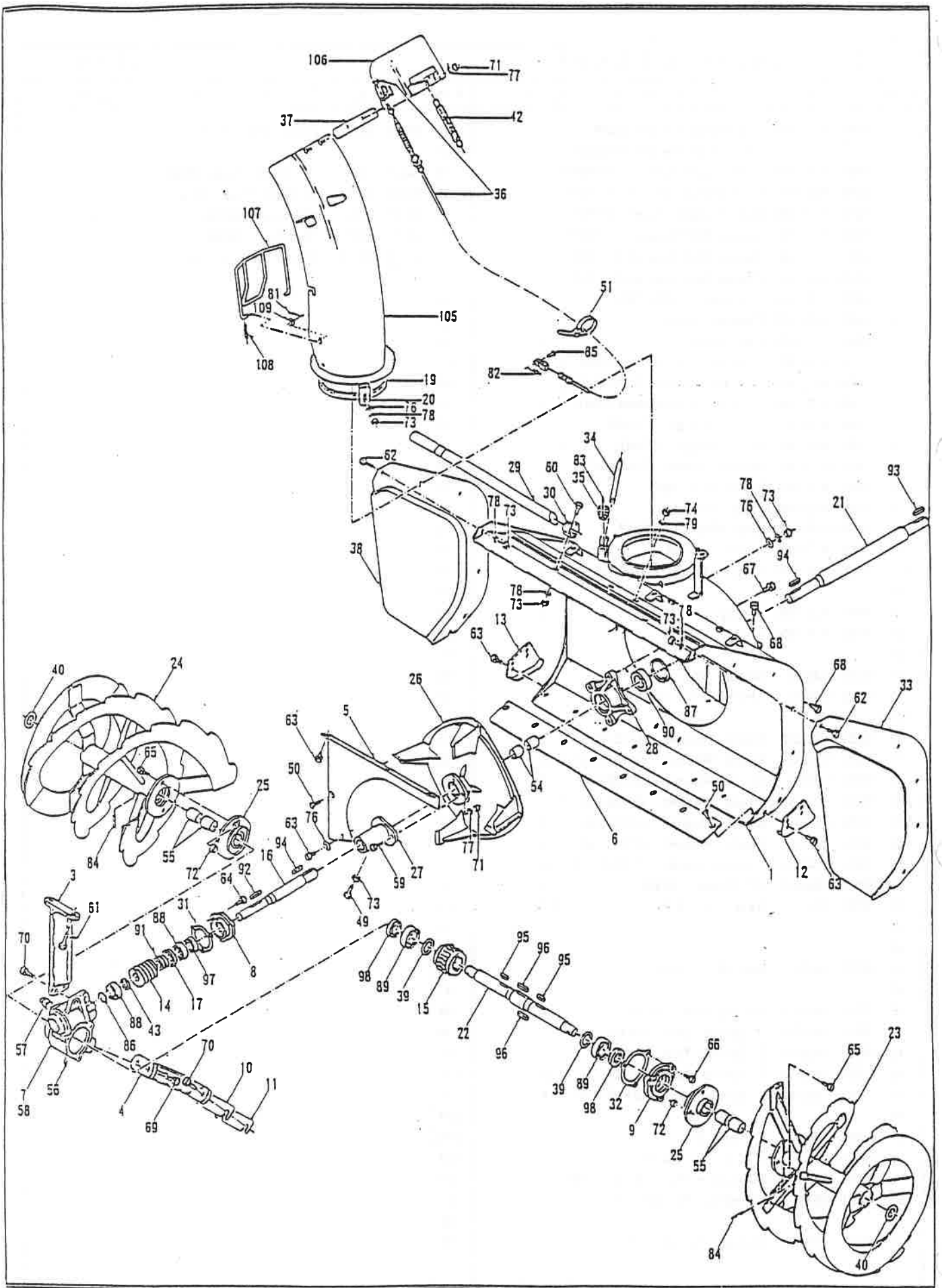
R/No	P/No	N A M E	Q'TY	R/No	P/No	N A M E	Q'TY
1	01001-A76-000	Engine	1	56			
2		Engine Standard Accessary		57			
3	02100-A33-100	PTO Belt Stopper COMP	1	58	91921-10304	G Engine Oil (10w-30)	0.9ℓ
4	02200-A31-300	PTO Belt Tension COMP	1	59	91921-10304	G Engine Oil (10w-30)	1.1ℓ
5	02300-A33-101	Engine Base	1	60			
6	02901-A76-000	Extension Muffler Pipe	1	61			
7	02901-A31-201	PTO Pulley	1	62			
8	02903-A17-000	Screw Spring	1	63	92222-0803074	S Bolt 8×30	4
9	02902-A31-000	Engin Base Fix Plate	1	64	92222-0808074	S Bolt 8×80	1
10	41100-A33-105	Main Frame COMP	1	65	92226-1004074	S Bolt 10×40	4
11	41200-A65-232	Hydraulic Pump Base COMP	1	66	92232-1013574	S Bolt 10×135	1
12	48903-A54-000	Chain Guard	1	67			
13	50001-A31-000	Hydraulic Power	1	68	92915-0601514	Spring 6×15	3
14	52500-A75-000	Hydraulic Hose L=1,200	1	69	92915-0601517	Spring 6×15 (7T)	1
15	61901-A26-100	Bevel Gear Case	1	70	93015-0801514	S Bolt Spring B 8×15	9
16	61902-A31-300	Gear Case Cover A	1	71	93020-0802014	S Bolt Spring B 8×20	7
17	61903-A31-300	Gear Case Cover B	2	72	93022-0802514	S Bolt Spring B 8×25	12
18	62901-A58-000	Bevel Gear M2.5×15	1	73	93020-1002014	S Bolt Spring B 10×20	4
19	62902-A26-000	Bevel Gear M2.5×30	1	74			
20	62901-A31-200	Sprocket 35×32	1	75	94001-06411	Nut 6	5
21	62902-A31-200	Sprocket 35×13	1	76	94003-08411	S Nut 8	5
22	63901-A31-300	V Pulley 159B×20	1	77	94003-10411	S Nut 10	7
23	63902-A31-300	V Pulley 130B·65B×20	1	78	94101-06010	Polishing Washer 6	3
24	63903-A31-300	V Pulley 169B-2×25	1	79	94101-08010	Polishing Washer 8	2
25	64901-A31-000	Gear Case Input Shaft	1	80	94101-10010	Polishing Washer 10	4
26	64902-A31-000	Gear Case Output Shaft	1	81	94101-12010	Polishing Washer 12	1
27	65100-A31-300	Clawler Belt Stopper B COMP	1	82	94111-06012	Spring Washer 6	1
28	65100-A75-100	Tension Arm COMP	1	83	94111-08012	Spring Washer 8	5
29	65901-A17-003	Chain Tightener	1	84	94111-10012	Spring Washer 10	7
30	75800-A65-100	Counter Bracket COMP	1	85			
31	87100-A76-000	Wire Harness	1	86	94210-30200	Split Pin	1
32	87200-A75-000	Battery Cord ⊕	1	87	94510-15080	C Shaft Fixer Ring 15	1
33	87300-A75-000	Earth Cord	1	88	94520-42080	C Hole Fixer Ring 42	1
34	86901-A76-000	Battery Band	1	89	95002-04039	V Belt B-39	2
35	86902-A31-000	Battery Setting Bolt	2	90	95002-15034	V Belt LB-34	1
36	89100-A77-000	Battery (Dry·Y60-N24-T)	1	91	95002-15035	V Belt LB-35	2
37	89901-A31-000	Cushion Rubber	1	92	95101-0350591	Roller Chain 35×39	1
38				93	95111-0351	Joint Link 35	1
39				94	96105-26203	Bearing 6203UU	1
40				95	96105-26004	Bearing 6004UU	3
41	91304-A31-000	Round Washer 6×18×2	1	96	97112-024241	Key 5×5×24RR	1
42	91901-A31-000	Collar 20×8	1	97	97113-018141	Key 6×6×18SR	1
43	91901-M21-000	Coil Spring	1	98	97113-020241	Key 6×6×20RR	1
44	91251-0620231	Round Washer 6×20×2.3	1	99	97113-023141	Key 6×6×23SR	1
45	91251-0620231	Round Washer 6×25×2.3	1	100	97113-028141	Key 6×6×28SR	1
46	91251-0825231	Round Washer 8×25×2.3	3	101			
47	91251-0835231	Round Washer 8×35×2.3	1	102			
48	91331-080801	Cord Lamp 8×80	2	103			
49	91331-100651	Cord Lamp 10×65	2	104			
50	91332-1008611	Hose Cramp 10×86	2	105			
51	91351-6253030	Rubber Bush NG-79-Q	2	106			
52	91551-3022004	90° Elbow 302204	1	107			
53	91551-3024004	45° Elbow 302404	1	108			
54	91611-1545201	Tension Pulley YTPS50-15	1	109			
55	91632-2051100	Bearing Unit UCP205	1	110			



2. CLAWIER & FRAME

ST-8

R/No	P/No	N A M E	Q'TY	R/No	P/No	N A M E	Q'TY
1	10001-A31-002	Transmission Assy (H35W7)	1	56	94210-30250	Split Pin 3×25	4
2		Transmission Standard Accessory		57			
3	16300-A54-000	Side Clutch Arm L COMP	1	58	94510-15080	C Shaft Fixer Ring	2
4	16200-A01-001	Side Clutch Arm R COMP	1	59	94520-35080	C Hole Fixer Ring	4
5	16200-A75-000	Belt Stopper Fixer COMP	1	60	96105-26003	Bearing 600300	8
6	16300-A75-000	Clawler Belt Stopper A COMP	1	61	96105-26005	Bearing 600500	4
7	16400-A75-000	Clawler Belt TensionA COMP	1	62	97114-028141	Key 7×7×28 SR	2
8	16500-A31-331	Clawler Belt TensionB COMP	1	63			
9	16901-A75-000	V Pulley 130B·72B×17	1	64			
10	16902-A31-000	Tension Shaft	1	65			
11	16903-A31-000	Belt Guide	2	66			
12	21100-A31-001	Crawler Frame L COMP	1	67			
13	21200-A31-001	Crawler Frame R COMP	1	68			
14	21300-A31-000	Crawler Tension Beam COMP	2	69			
15	21400-A31-031	Front Bridge COMP	1	70			
16	21500-A31-001	Rear Bridge COMP	1	71			
17	23901-A31-001	Rubber Crawler (72×200×27)	2	72			
18	26901-A31-001	Drive Sprocket	2	73			
19	26902-A02-000	Front Wheel	4	74			
20	26100-A09-000	Rear Wheel COMP	2	75			
21	26901-A71-000	Collar 25×36	2	76			
22	67300-A31-000	Single Acting Cylinder	1	77			
23				78			
24	91601-A31-000	Spring 5×25	2	79			
25	91601-A75-000	Spring 16×80	2	80			
26				81			
27	91261-140400	Setting Pin 14×40	1	82			
28	91261-140650	Setting Pin 14×65	1	83			
29				84			
30	91251-0825231	Round Washer 8×25×2.3	1	85			
31	91251-1025321	Round Washer 10×25×3.2	6	86			
32	91251-1030321	Round Washer 10×30×3.2	2	87			
33	91251-1030451	Round Washer 10×30×4.5	1	88			
34	91251-1230451	Round Washer 12×30×4.5	2	89			
35	91251-1240451	Round Washer 12×40×4.5	2	90			
36	91611-1545201	Tension Pulley YTPS50-15	2	91			
37	91551-3024004	45° Elbow 302404	1	92			
38	91931-090	Gear Oil (#90)	2.7ℓ	93			
39				94			
40				95			
41	92232-1013574	Bolt B 10×135	2	96			
42				97			
43	92915-0601514	Spring Bolt 6×15	1	98			
44	93015-0801514	S Spring Bolt 8×15	1	99			
45	93020-0802014	S Spring Bolt 8×20	1	100			
46	93020-1002014	S Spring Bolt 10×20	8	101			
47	93025-1002517	S Spring Bolt 10×25 (7T)	8	102			
48				103			
49	94003-10411	S Nut 10	3	104			
50	94003-10413	S Nut 10 (№3)	2	105			
51	94014-124115	S Groove Nut 12×1.5 (1H)	2	106			
52	94101-08010	Polishing Washer 8	1	107			
53				108			
54	94111-10012	Spring Washer 10	5	109			
55				110			



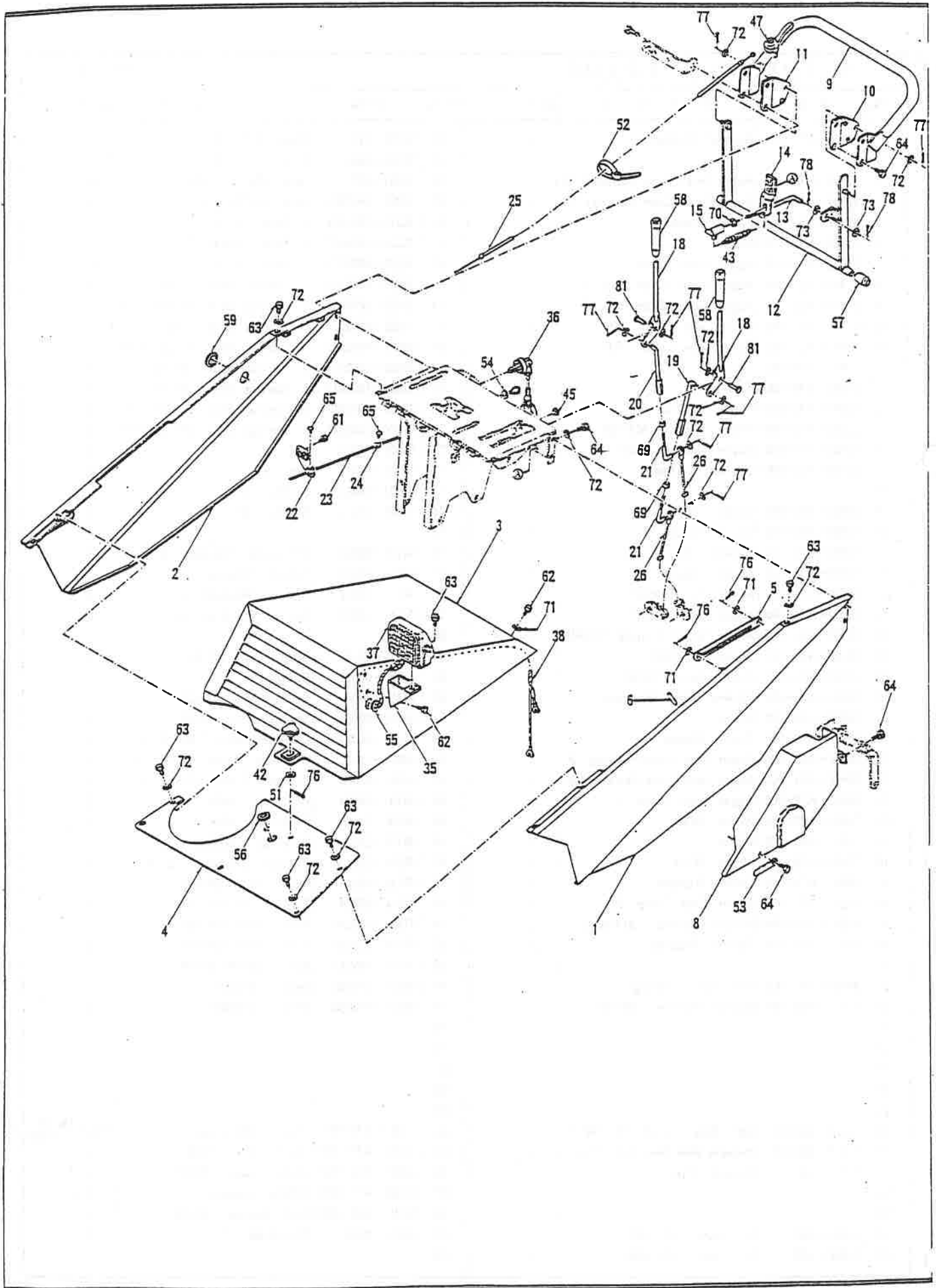
5

3. THROWER FRAME

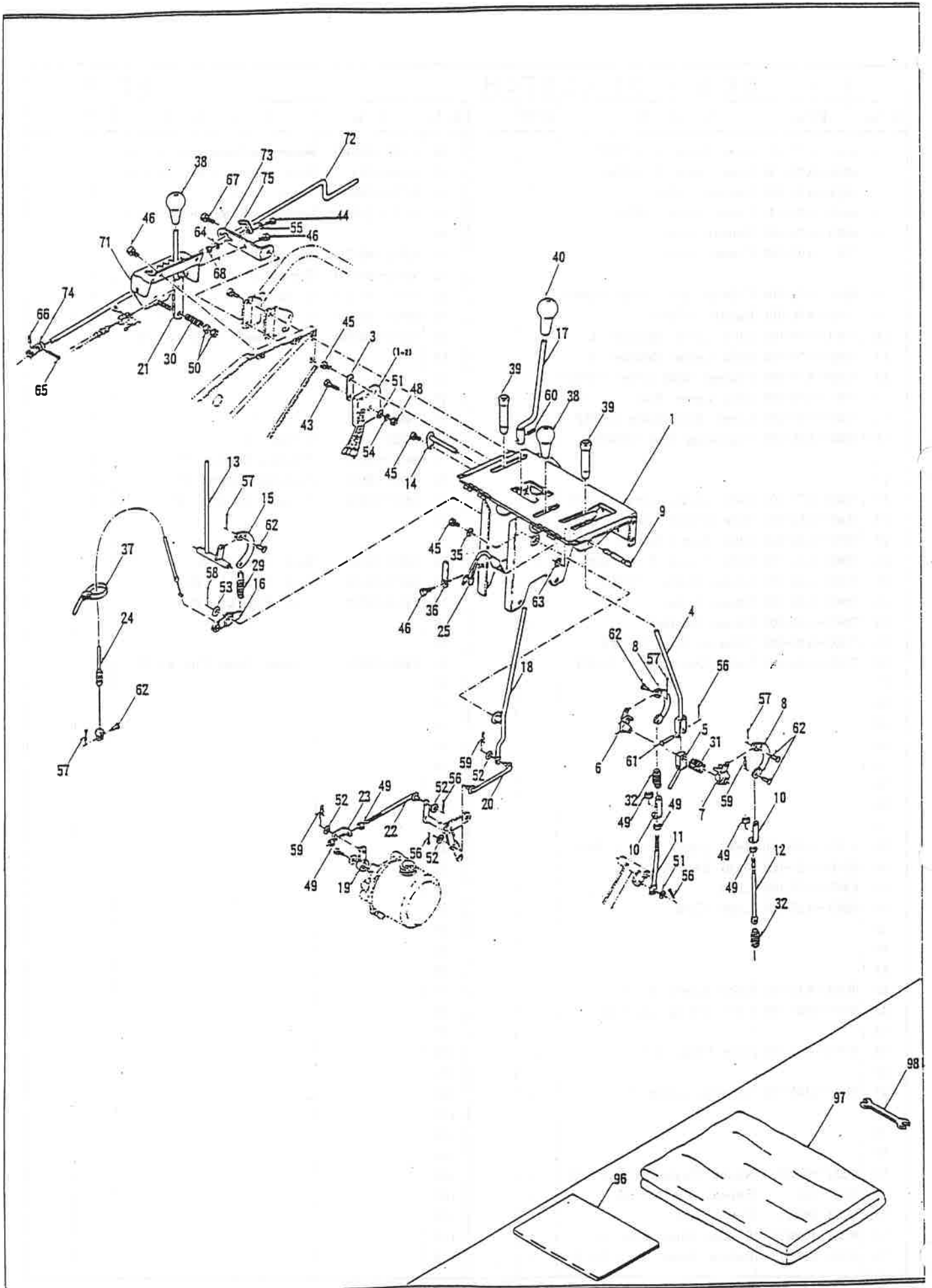
ST-8

R/No	P/No	N A M E	Q'TY	R/No	P/No	N A M E	Q'TY
1	31100-A77-101	Blower Frame	1	56	91555-0141	Plug PT 1/8	1
2				57	91555-0641	Plug PT 3/8	1
3	31903-A75-101	Auger Gear Case Support A	1	58	91931-090	Gear Oil (# 90)	0.2ℓ
4	31904-A75-000	Auger Gear Case Support B	1	59	92025-0602574	Bolt 6×25 LS	6
5	31901-A54-300	Cover Plate	1	60	92215-0801574	S Bolt 8×15	2
6	31902-A31-130	Edge	1	61	92226-1004077	S Bolt 10×40 (7T)	2
7	31903-A31-101	Auger Gear Case	1	62	92220-0802074	S Bolt 8×20	10
8	31904-A31-100	Auger Gear Case Cap A	1	63	93020-0802014	S Spring Bolt 8×20	8
9	31905-A31-100	Auger Gear Case Cap B	1	64	93020-0802017	S Spring Bolt 8×20 (7T)	3
10	31906-A31-001	Gear Case Liner 2.0	1	65	93022-0802514	S Spring Bolt 8×25	12
11	31907-A31-001	Gear Case Liner 0.6	3	66	93022-0802517	S Spring Bolt 8×25 (7T)	3
12	31901-A76-300	Skid L	1	67	93020-1002014	S Spring Bolt 10×20	4
13	31902-A76-300	Skid R	1	68	93020-1002017	S Spring Bolt 10×20 (7T)	6
14	32901-A31-030	Worm M3×2	1	69	93025-1002517	S Spring Bolt 10×25 (7T)	2
15	32902-A31-000	Worm Wheel M3×20	1	70	93026-1003017	S Spring Bolt 10×30 (7T)	4
16	32903-A31-004	Auger Input Shaft	1	71	94001-06411	Nut 6	8
17	32904-A31-000	Thrust Collar	1	72	94001-08411	Nut 8	12
18				73	94003-08411	S Nut 8	17
19	33902-A02-001	Chute Sheet	1	74	94003-10411	S Nut 10	2
20	33903-A01-002	Chute Clamp	3	75			
21	34901-A31-102	Blower Shaft	1	76	94101-08010	Polishing Washer 8	5
22	34902-A31-002	Auger Shaft	1	77	94111-06012	Spring Washer 6	8
23	35100-A31-004	Auger L COMP	1	78	94111-08012	Spring Washer 8	16
24	35200-A31-004	Auger R COMP	1	79	94111-10012	Spring Washer 10	2
25	35300-A31-002	Auger Shear Frange COMP	2	80			
26	36100-A31-003	Blower COMP	1	81	94210-20150	Split Pin 2×15	2
27	36200-A31-031	Auger Joint COMP	1	82	94251-06011	Snap Pin 6	1
28	36903-A31-200	Blower Shaft Housing	1	83	94319-30020	Spring Pin 3×20	1
29	39901-A65-001	Stick	1	84	94319-80035	Spring Pin 8×35	2
30	39902-A65-000	Stick Holder	2	85	94331-06020	Cheese Head Pin 6×20	1
31	39901-A31-000	Auger Gear Case Packing A	1	86	94510-20080	C Shaft Fixer Ring 20	1
32	39902-A31-000	Auger Gear Case Packing B	1	87	94520-55080	C Hole Fixer Ring 55	1
33	38901-A77-000	Auger Side Cover L	1	88	96100-26004	Bearing 6004	2
34	75902-A33-001	Worm Shaft	1	89	96100-26006	Bearing 6006	2
35	75911-A01-003	Worm	1	90	96105-26006	Bearing 600600	1
36	77100-A76-000	Chute Wire	1	91	96200-251104	Thrust Bearing 51104	1
37	33901-A75-000	Chute Rubber	1	92	97113-038241	Key 6×6×38 RR	1
38	38902-A77-000	Auger Side Cover R	1	93	97114-036141	Key 7×7×36 SR	1
39	91302-A31-000	Round Washer 30×42×2	2	94	97114-036241	Key 7×7×36 RR	2
40	91303-A31-000	Thrust Washer	2	95	97115-028241	Key 8×7×28 RR	2
41				96	97116-048241	Key 10×8×48 RR	2
42	91964-A01-000	Tensioner Spring	1	97	98251-2503807	Seal D 25387	1
43	91912-A05-001	Round Washer 20×30×2	1	98	98251-3004508	Seal D 30458	2
44				99			
45				100			
46				101			
47				102			
48				103			
49	91212-0825137	Set Bolt 8×25 (7T · 90°)	1	104	30001-A77-001	Chute 600 Assy	1-セット
50	91217-0801579	Hexagon Hole Flush Bolt 8×15	9	105	33100-A77-100	Chute 600 COMP	1
51	91311-140	Repeat Tie	1	106	33200-A31-300	Chute Cap COMP	1
52				107	33300-A77-000	Safety Guard	1
53				108	91601-A65-000	Coil Spring 10×50	1
54	91641-2525	M Liner ML 2525	2	109	94101-06010	Polishing W 6	2
55	91641-3030	M Liner ML 3030	4	110			

No 105
~109

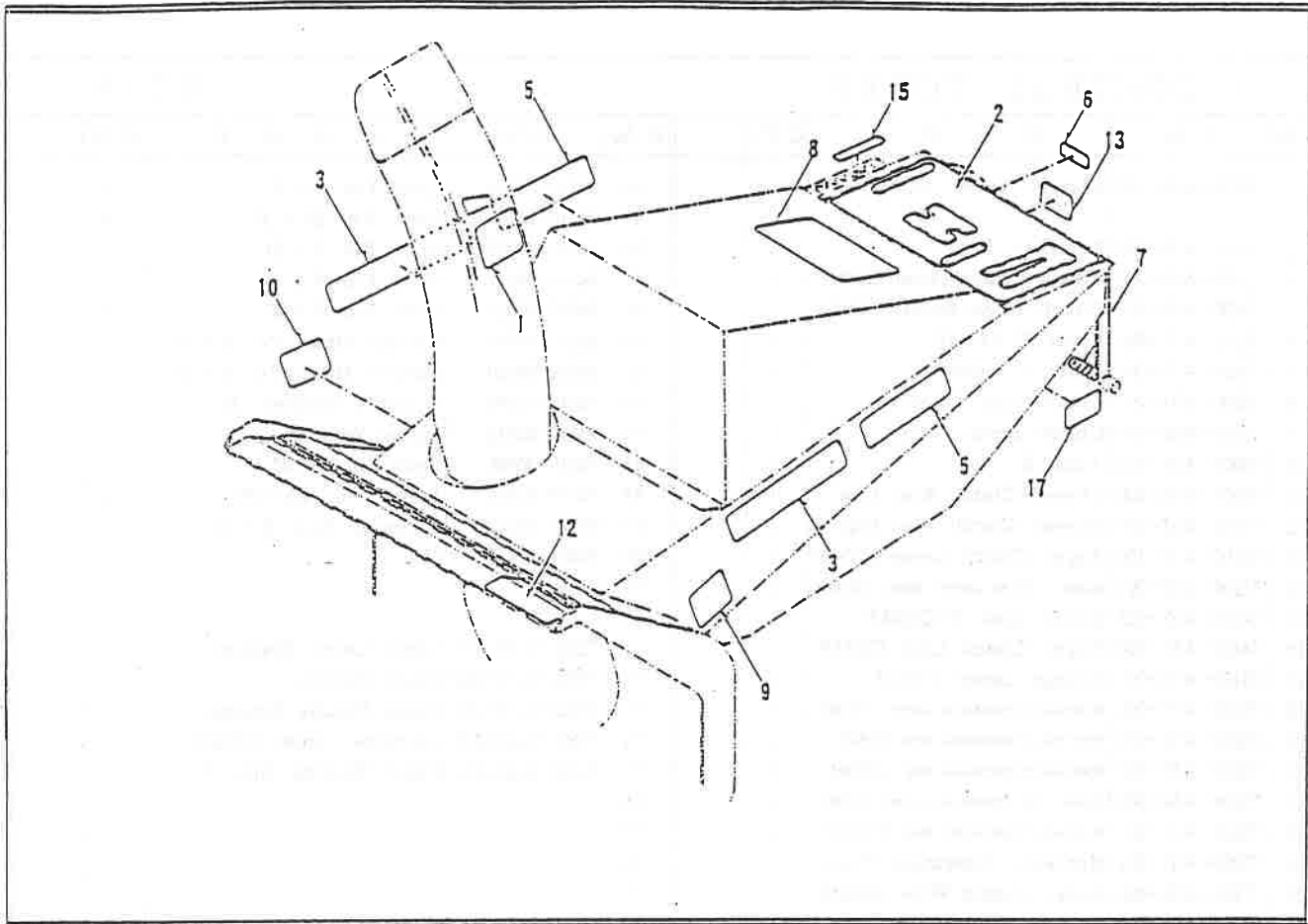


4. COVER & SIDE CLUTCH				ST-8			
R/No	P/No	N A M E	Q'TY	R/No	P/No	N A M E	Q'TY
1	48100-A77-101	Side Cover L COMP	1	56	91352-4192423	Membrane Rubber Bush SG-24A	1
2	48200-A77-130	Side Cover R COMP	1	57	91354-1724	Pipe Rubber Foot C-31-4	2
3	48300-A69-203	Bonnet COMP	1	58	91731-1008011	Lever Grip	2
4	48500-A33-131	Cover Front COMP	1	59	91351-2313510	Membrane Rubber Bush SGA-11	1
5	48901-A76-000	Bonnet Stay	1	60			
6	72901-A02-000	Clamp Cover	5	61	92912-0401214	Spring Bolt 4 x 12	2
7				62	92915-0601514	Spring Bolt 6 x 15	6
8	68100-A75-000	Crawler Bel Cover COMP	1	63	93015-0801514	S Spring Bolt 8 x 15	9
9	71100-A76-101	Handle COMP	1	64	93020-0802014	S Spring Bolt 8 x 20	7
10	71901-A76-000	Stop Lever Bracket L	1	65	93510-0401004	Pan-Head Screw 4 x 10	2
11	71902-A76-000	Stop Lever Bracket R	1	66			
12	73100-A76-000	Ungemt Stop Lever COMP	1	67			
13	73901-A76-000	Stop Lever Rod	1	68			
14	73500-A75-200	Lever Rod Guide COMP	1	69	94003-08411	S Nut 8	2
15	73200-A76-000	Adgusting Rod COMP	1	70	94003-10411	S Nut 10	1
16				71	94101-06010	Polising Washer 6	6
17				72	94101-08010	Polising Washer 8	18
18	75300-A77-000	Side Clutch Lever COMP	2	73	94101-10010	Polising Washer 10	2
19	75400-A54-030	Side Clutch Rod L COMP	1	74			
20	75500-A54-030	Side Clutch Rod R COMP	1	75			
21	75902-A54-000	Side Clutch Wire Joint	2	76	94210-20150	Split Pin 2 x 15	3
22	75100-A33-001	Choke Holder COMP	1	77	94210-25150	Split Pin 2.5 x 15	8
23	75903-A33-000	Choke Lever	1	78	94210-25200	Split Pin 2.5 x 20	2
24	75907-A31-000	Choke Stopper	1	79			
25	77100-A33-000	Throttle Wire COMP	1	80			
26	77100-A54-000	Side Clutch Wire COMP	2	81	94331-08020	Cheese Head Pin 8 x 20	2
27				82			
28				83			
29				84			
30				85			
31				86			
32				87			
33				88			
34				89			
35	81100-A76-100	Head Lamp Stay COMP	1	90			
36	83100-A31-000	Main Switch	1	91			
37	83600-A26-000	Light	1	92			
38	08901-A33-000	Light Cord	1	93			
39				94			
40				95			
41				96			
42	91104-A31-002	Knob Screw 8 x 20	1	97			
43	91601-M27-000	Coil Spring 12.5 x 50	1	98			
44				99			
45	91701-A41-000	Glow Metal ø 6	2	100			
46				101			
47	91915-M06-000	Throttle Lever L	1	102			
48				103			
49				104			
50				105			
51	91251-0825230	Round Washer 8 x 25 x 2.3	1	106			
52	91311-140	Repeat Tie RF 140	1	107			
53	91331-080651	Cord Lamp	1	108			
54	91351-1040815	Rubber Bush BSA-6	1	109			
55	91351-6202515	Rubber Bush NG-79-N	1	110			



5. CONTROL TOWER				ST-8			
R/No	P/No	N A M E	Q'TY	R/No	P/No	N A M E	Q'TY
1	72100-A69-132	Control Tower COMP	1	56	94210-20150	Split Pin 2 x 15	4
2				57	94210-25150	Split Pin 2.5 x 15	4
3	72901-A33-000	Rectifier Stay	1	58	94210-30200	Split Pin 3 x 20	1
4	73300-A65-000	Crawler Clutch Lever COMP	1	59	94251-08011	Split Pin 8	3
5	73400-A65-001	Clutch Lever Holder COMP	1	60	94319-60025	Split Pin 6 x 25	1
6	73300-A75-000	Lever R COMP	1	61	94331-06036	Cheese Head Pin 6 x 36	1
7	73400-A75-000	Lever L COMP	1	62	94331-08020	Cheese Head Pin 8 x 20	5
8	73500-A71-001	Clutch Link COMP	2	63	94510-12080	C Shaft Stopper 12	1
9	73901-A30-000	Clutch Lever Shaft	1	64	94111-05012	Spring Washer 5	2
10	73907-A01-003	Joint B	2	65	94210-40300	Split Pin 4 x 30	1
11	73902-A75-000	Clower Clutch Rod Low	1	66	94319-45020	Spring Pin 4.5 x 20	1
12	73903-A31-030	Clower Clutch Rod High	1	67	93022-0802514	S Spring Bolt 8 x 25	1
13	74100-A33-100	Auger Clutch Lever COMP	1	68	94001-05411	Nut 5	2
14	74200-A33-001	Auger Clutch Lever Shaft COMP	1	69			
15	74300-A31-001	Clutch Link B COMP	1	70			
16	74400-A01-000	Auger Clutch Link COMP	1	71	72200-A76-100	Chute Lever Bracket	1
17	75100-A75-000	Change Lever COMP	1	72	75902-A76-030	Chute Handle	1
18	75100-A77-000	Hydraulic Operation Lever COMP	1	73	72902-A76-100	Chute Handle Bracket	1
19	75200-A31-031	Hydraulic Operation Arm COMP	1	74	75500-A01-000	Universal Joint COMP	1
20	75500-A65-000	Hydraulic Operation Rod A COMP	1	75	91702-A40-000	Resin Bearing Unit 10	1
21	75200-A54-000	Chute Cap Operation Lever COMP	1	76			
22	75600-A31-001	Hydraulic Operation Rod B COMP	1	77			
23	75902-A31-001	Hydraulic Operation Plate	1	78			
24	77300-A32-000	Auger Clutch Wire COMP	1	79			
25	83300-A01-000	Neutral Switch	1	80			
26				81			
27				82			
28				83			
29	91601-A71-000	Tension Clutch Spring	1	84			
30	91602-A71-000	Coil Spring	1	85			
31	91604-A31-000	Spring 2 x 28	1	86			
32	91607-A31-000	Coil Spring 16 x 52	2	87			
33				88			
34				89			
35	91251-0620231	Round Washer 6 x 20 x 23	1	90			
36	91331-080651	Cord Clamp	1	91			
37	91311-140	Repeat Tie RF 140	1	92			
38	91731-1001011	Lever Grip A 10	2	93			
39	91731-1008013	Lever Grip RH 10	2	94			
40	91731-1201011	Lever Grip A 12	1				
41							
42							
43	92018-0603074	Bolt 6 x 30	1	96	91903-A77-000	ST 8 - Manual	1
44	92015-0501574	Bolt 5 x 15	2	97	78100-A33-000	Sheet Cover	1
45	91915-0601514	Spring Bolt 6 x 15	3	98	99101-12141	Double - ended Wrench	1
46	93015-0801514	S Spring Bolt 8 x 15	4	99			
47				100			
48	94001-06411	Nut 6	1	101			
49	94003-08411	S Nut 8	6	102			
50	94003-10411	S Nut 10	2	103			
51	94101-06010	Polishing Washer 6	2	104			
52	94101-08010	Polishing Washer 8	4	105			
53	94101-10010	Polishing Washer 10	1	106			
54	94111-06012	Spring Washer 6	1	107			
55	94101-05010	Polishing Washer 5	2	108			
				109			
				110			

• ACCESSORIES



8

6. LABEL				ST-8			
R/No	P/No	N A M E	QTY	R/No	P/No	N A M E	QTY
1	99905020000	Safety Mark	1				
2	79910-A77-030	Panel Mark	1				
3	99900003000	KOBASHI Mark	2				
4							
5	99909137000	ST-8 Mark	2				
6	79911-A77-000	Choke Lever Mark	1				
7	79907-A75-000	Black yellow Mark	2				
8	99905024001	Caution Mark	1				
9	99905021001	Auger Safety Mark L	1				
10	99905022001	Auger Safety Mark R	1				
11							
12	99905023000	Auger Safety Mark Up	1				
13	79912-A77-000	Side Clutch Mark	1				
14							
15	79913-A77-000	Throwing Distance Mark	1				
16							
17	99900016000	Serial Number Plate	1				
18							
19							
20							
21							
22							
23							